

3K 3205 / 3205 P



Vibratory compactor

- ▶ Ergonomic driver's compartment for perfect all-round visibility
- ▶ Convenient information display
- ▶ Infinitely variable hydrostatic all-wheel drive
- ▶ High engine performance with traction control
- ▶ High climbing power through automatic slip control
- ▶ 3-point swivel joint for highest driving comfort
- ▶ Hydrostatic steering
- ▶ Very easy maintenance, long service intervals



TECHNICAL DATA

3205

3205 P

Weights			
Operating weight	kg	5475	5815
Maximum weight	kg	6600	6600
Axle load, front/rear	kg	2680/2795	3020/2795
Load per tire, rear	kg	1397,5	1397,5
Static linear load, front	kg/cm	19,6	
Machine dimensions			
Max. working width	mm	1370	1370
Turning radius, inside	mm	2965	2965
Padfoot, number			84
Height of the padfoot	mm		80
Front area of padfoot			113
Size of tires, rear		TR 12.4-24 8 PR	TR 12.4-24 8 PR
Diesel engine			
Manufacturer		DEUTZ	DEUTZ
Type		D 2011 L04 W	D 2011 L04 W
Number of cylinders		4	4
Power rat. ISO 14396, kW/PS/rpm		48,0/65,3/2500	48,0/65,3/2500
Power rating SAE J1349, kW/HP/rpm		48,0/64,3/2500	48,0/64,3/2500
Drive			
Hydrostatic drive, front/rear		Hydraulic motor/axle	Hydraulic motor/axle
Speed, working gear	km/h	0-6,7/0-8,8/0-9,2	0-6,9/0-8,2/0-9,2
Speed, transportation gear	km/h	0-13,6	0-11,7
Climbing ability, vibration on/off	%	55/60	65/70
Vibration system			
Hydrostatic drive			
Vibration			
Vibration frequency, front, l/l	Hz	30/42	30/42
Amplitude, front, l/l	mm	1,55/0,69	1,2/0,53
Centrifugal force, front, l/l	kN	69/61	69/61
Steering			
Steering, type		Pivoted steering	Pivoted steering
Steering, actuation		hydrostatic, steer. wheel	hydrostatic, steer. wheel
Steering lock +/-	Grad	35	35
Oscillation angle +/-	Grad	10	10
Brake system			
Service brake, mode of action		hydrostatic	hydrostatic
Service brake, actuation		Drive lever	Drive lever
Parking brake, mode of action		Spring-loaded/mechanical	Spring-loaded/mechanical
Parking brake, actuation		electr. a. autom.	electr. a. autom.
Emergency brake, mode of action		hydr./mech.	hydr./mech.
Emergency brake, actuation		Emergency stop	Emergency stop

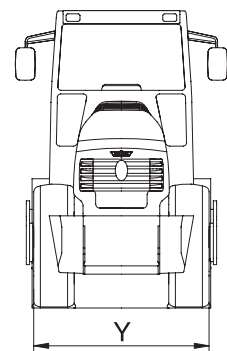
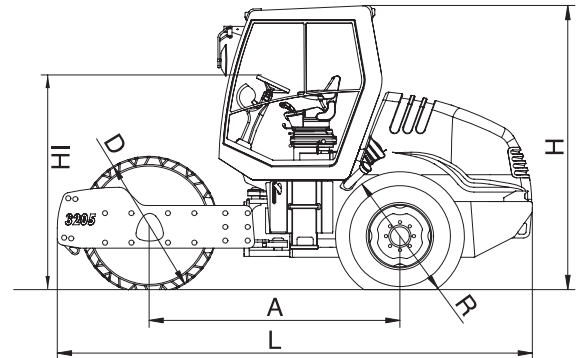
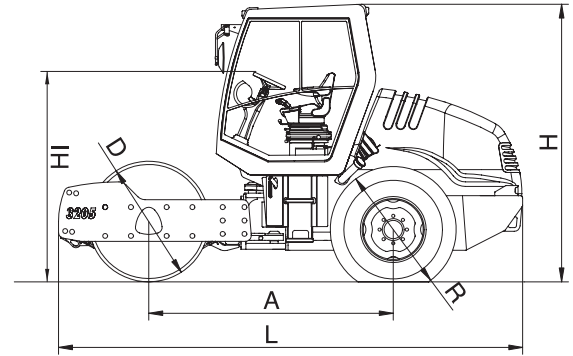
Equipment
Suspended driving position, access from both sides. Sliding and swivelling seat console. 2 multifunctional drive levers. Traction control. Swivelling drive and dashboard console. Modern information and control display. Sound insulation. Tilttable GFK-engine hood. CE-conformity.

Optional

Comfortable ROPS cabin with panoramic view. Working lights, wipers front/rear, exterior and interior mirrors. Radio. Heating with dust free ventilation. Air conditioning. ROPS/FOPS. Sun top. HCQ-Indicator, HCQ-Printer, HCQ-GPS-Navigator. Tachograph. Lighting according to German Road Regulation. Special paint.

Further data on request / subject to change

3205 - Vibratory compactor
3205 P - Padfoot compactor



		3205	3205 P
Total length	L	4355	4355
Width	B	1480	1480
Total height	H	2830	2850
Wheel base	A	2290	2290
Roller drum width	X	1370	1370
Drum diameter	D	1000	1160
Width over tires	Y	1430	1430
Diameter of tires	R	1160	1160
Height loading, min.	HI	2110	2120